

isc Silicon NPN Darlington Power Transistor

2SD1410

DESCRIPTION

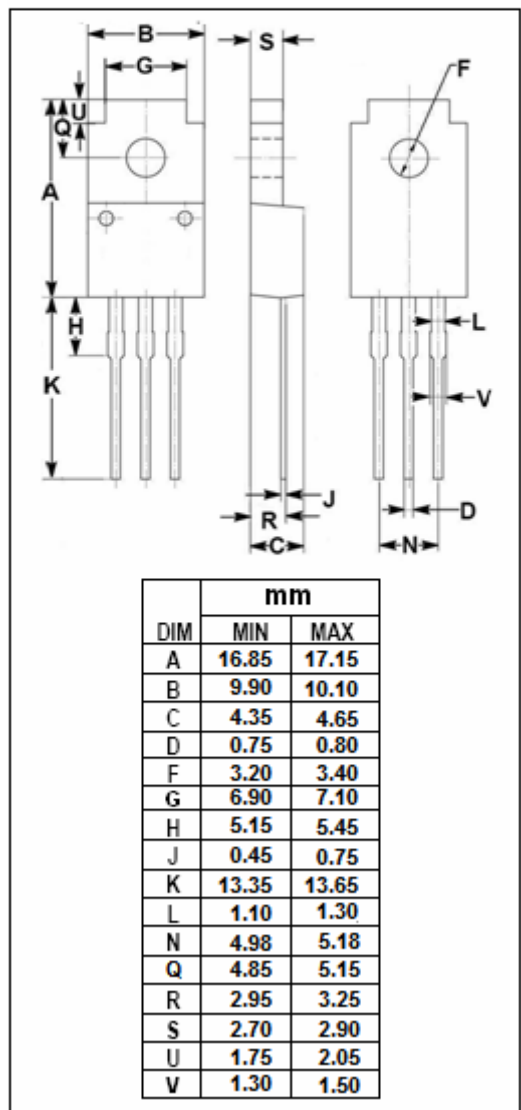
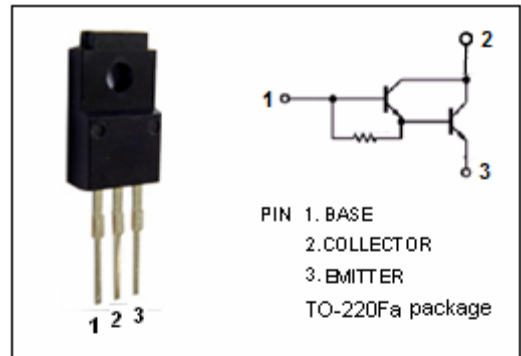
- Collector-Emitter Sustaining Voltage-  
:  $V_{CEO(SUS)} = 250V(\text{Min})$
- Collector-Emitter Saturation Voltage-  
:  $V_{CE(sat)} = 2.0V(\text{Max}) @ I_C = 4A$
- High DC Current Gain  
:  $h_{FE} = 2000(\text{Min}) @ I_C = 2A, V_{CE} = 2V$

APPLICATIONS

- Igniter applications
- High voltage switching applications

ABSOLUTE MAXIMUM RATINGS( $T_a=25^\circ\text{C}$ )

SYMBOL	PARAMETER	VALUE	UNIT
$V_{CBO}$	Collector-Base Voltage	300	V
$V_{CEO}$	Collector-Emitter Voltage	250	V
$V_{EBO}$	Emitter-Base Voltage	5	V
$I_C$	Collector Current-Continuous	6	A
$I_B$	Base Current-Continuous	1	A
$P_C$	Collector Power Dissipation @ $T_a=25^\circ\text{C}$	2.0	W
	Collector Power Dissipation @ $T_c=25^\circ\text{C}$	30	
$T_J$	Junction Temperature	150	$^\circ\text{C}$
$T_{stg}$	Storage Temperature Range	-55~150	$^\circ\text{C}$



## isc Silicon NPN Darlington Power Transistor

2SD1410

## ELECTRICAL CHARACTERISTICS

 $T_C=25^{\circ}\text{C}$  unless otherwise specified

SYMBOL	PARAMETER	CONDITIONS	MIN	TYP.	MAX	UNIT
$V_{CEO(SUS)}$	Collector-Emitter Sustaining Voltage	$I_C=0.5\text{A}$ ; $L=40\text{mH}$	250			V
$V_{CE(sat)}$	Collector-Emitter Saturation Voltage	$I_C=4\text{A}$ ; $I_B=40\text{mA}$			2.0	V
$V_{BE(sat)}$	Base-Emitter Saturation Voltage	$I_C=4\text{A}$ ; $I_B=40\text{mA}$			2.5	V
$I_{CBO}$	Collector Cutoff Current	$V_{CB}=300\text{V}$ ; $I_E=0$			500	$\mu\text{A}$
$I_{EBO}$	Emitter Cutoff Current	$V_{EB}=5\text{V}$ ; $I_C=0$			500	$\mu\text{A}$
$h_{FE-1}$	DC Current Gain	$I_C=2\text{A}$ ; $V_{CE}=2\text{V}$	2000			
$h_{FE-2}$	DC Current Gain	$I_C=4\text{A}$ ; $V_{CE}=2\text{V}$	200			
$C_{OB}$	Output Capacitance	$I_E=0$ ; $V_{CB}=10\text{V}$ ; $f_{test}=1\text{MHz}$		35		pF

## Switching times

$t_{on}$	Turn-on Time	$I_C=4\text{A}$ , $I_{B1}=-I_{B2}=40\text{mA}$ $R_L=25\Omega$ ; $V_{CC}=100\text{V}$		1.0		$\mu\text{s}$
$t_{stg}$	Storage Time			8.0		$\mu\text{s}$
$t_f$	Fall Time			5.0		$\mu\text{s}$

isc Silicon NPN Darlington Power Transistor

2SD1410

